



Technical data

Voltage	U	230 V	V
Phase		1	~
Frequency	f	50	Hz
Speed	n	1425	RPM
Power consumption	P _e	320	W
Nominal current	I _{nom}	1.5	A
Maximum current	I _{max}	2.8	A
Capacitor		10/400	μF/V
Ambient temperature	T _{amb min/max}	0...40	°C
Insulation Class		CLF	
IP Class Fan		IP55	
Weight		18.0	kg
Packing dimensions		720x720x400	mm

Fan details

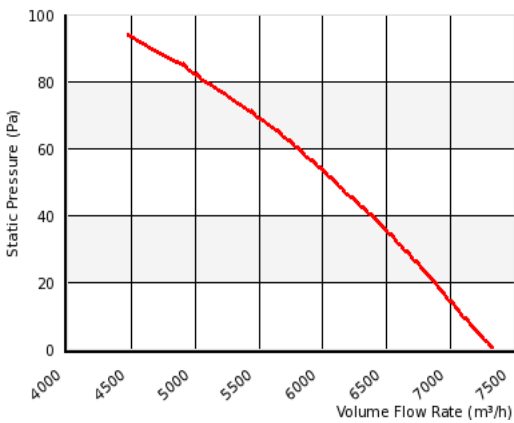
Impeller blades	6
Impeller type	3
Impeller system	C
Impeller material	PP

Control options

Triac controller	No
Transformer	No
Frequency drive	No
Intelligent Fan Drive	Yes

Characteristics

0 Pa 7350 m³/h
 50 Pa 6100 m³/h



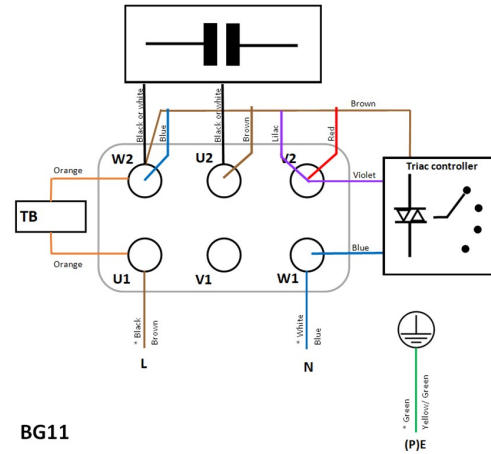
Please note: Picture may deviate from original product

Approval(s)

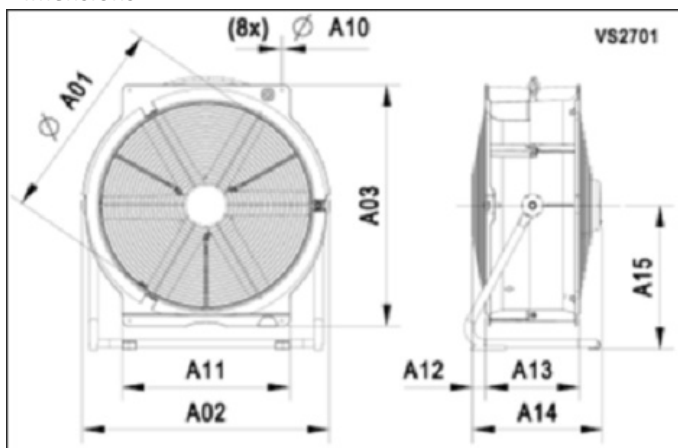


Wiring diagram - Fan

BG11 - 1 Phase - PRMOBFAN1 triac controller - CCW



Dimensions



A01:	518 mm
A02:	620 mm
A03:	620 mm
A10:	7 mm
A11:	420 mm
A12:	33 mm
A13:	236 mm
A14:	327 mm
A15:	369 mm