



Technical data

Voltage	U	230	V
Phase		1	~
Frequency	f	50	Hz
Speed	n	1405	RPM
Power consumption	P _e	300	W
Nominal current	I _{nom}	1.5	A
Maximum current	I _{max}	2.2	A
Capacitor		08/400	μF/V
Ambient temperature	T _{amb min/max}	-25...40	°C
Insulation Class		CLF	
IP Class Fan		IP55	
Sound pressure level (2 m)	L _{p (meas.)}	67	dB(A)
Sound pressure level (7 m)	L _{p (calc.)}	56	dB(A)
Packing dimensions		620x620x315	mm

Fan details

Impeller blades	6
Impeller type	3
Impeller system	C
Impeller material	PP

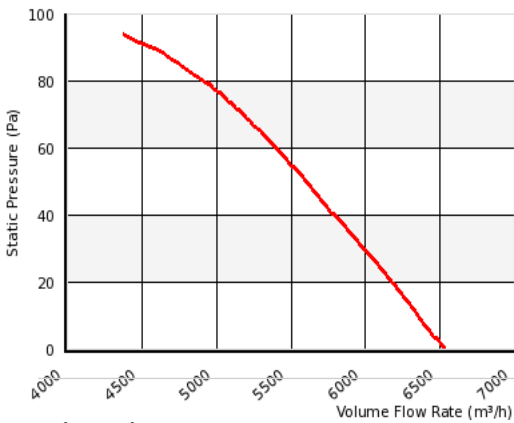
Control options

Triac controller	Yes
Transformer	Yes
Intelligent Fan Drive	Yes
RFREINV7 control	Yes

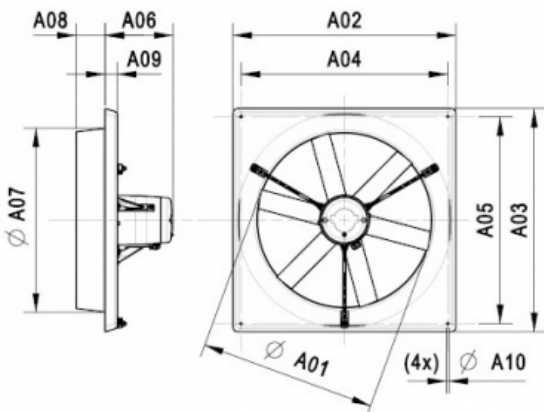
* This fan is suitable for 1~ frequency control with the Invertek Optidrive type RFREINV7. This Invertek Optidrive RFREINV7 is equipped with a special Vostermans Ventilation BV parameter set. This Invertek Optidrive RFREINV7 is available from Vostermans Ventilation BV.

Characteristics

0 Pa 6550 m³/h
50 Pa 5600 m³/h



Dimensions



A01:	460 mm
A02:	593 mm
A03:	593 mm
A04:	545 mm
A05:	545 mm
A06:	192 mm
A07:	490 mm
A08:	84 mm
A09:	36 mm
A10:	8 mm



Please note: Picture may deviate from original product

Approval(s)



Wiring diagram - Fan

AA01 - 1 Phase - Standard - CCW

